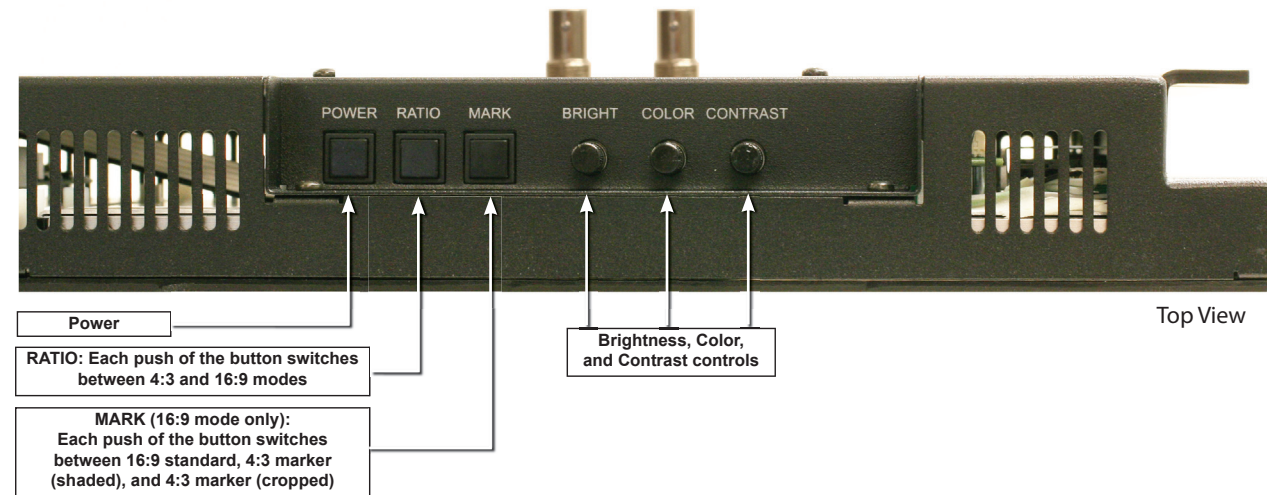
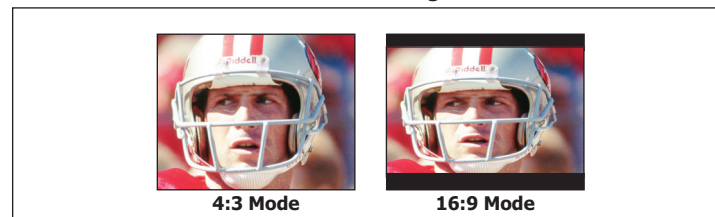


10 Switches and Adjustments



RATIO Settings



MARK Settings (16:9 Mode Only)



11 Warranty

Marshall Electronics warrants to the first consumer, that this V-R1042DP-TE4U portable monitor will, under normal use, be free from defects in workmanship and materials, when received in its original container, for a period of one year from the purchase date.

This warranty is extended to the first consumer only and proof of purchase is necessary to honor the warranty. If there is no proof of purchase provided with a warranty claim, Marshall Electronics reserves the right, not to honor the warranty set forth above. Therefore, labor and parts may be charged to you.

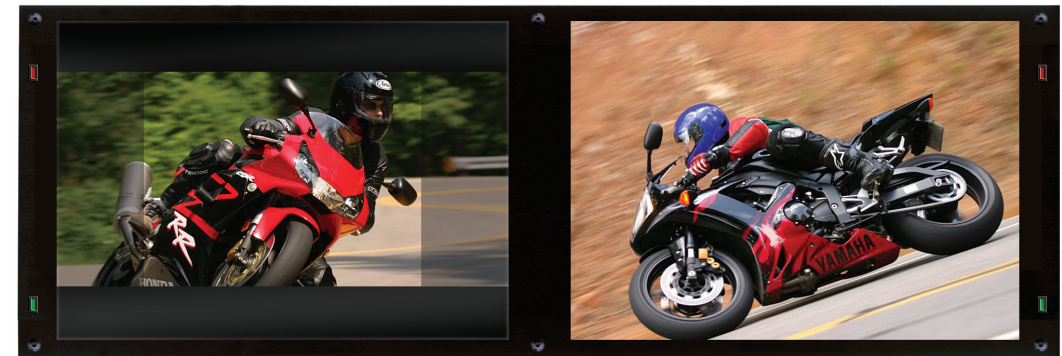
This warranty does not apply to product exterior and cosmetics. Misuse, abnormal service or handling, improper alterations or modifications in design or construction, voids this warranty. No sales personnel of the seller, nor any other person is authorized to make any warranties other than those described above, or to extend the duration of any warranties on behalf of Marshall Electronics, beyond the time period described above.

Due to constant effort to improve products and product features, specifications may change without notice.

Ver 2010-0216

Marshall Electronics

1910 East Maple Ave.
El Segundo, CA 90245
Tel.: 800-800-6608 • 310-333-0606
Fax: 310-333-0688
www.LCDRacks.com
Email: sales@lcdracks.com



V-R1042DP-TE4U User's Guide

| | |
|---------------------------|----|
| Product Overview | 1 |
| Features | 2 |
| Standard Accessories | 3 |
| Optional Accessories | 4 |
| Electrical Specifications | 5 |
| Mechanical Specifications | 6 |
| Faceplate Cleaning | 7 |
| Operational Setup | 8 |
| Input Connectors | 9 |
| Switches and Adjustments | 10 |
| Warranty | 11 |

1 Product Overview

The V-R1042DP-TE4U is a dual 10" high resolution LCD monitor for broadcast and professional video applications. Featuring an ultra-thin 3/8" bezel, this model provides the most possible screen area in 4RU and is ideal for video wall applications. The V-R1042DP-TE4U uses our award-winning all-digital TFT-Megapixel™ LCD panel with 2.4 million pixels, along with our HyperProcess™ de-interlacing algorithm producing the smoothest motion available on a TFT LCD. Video is scaled to fit on the screen in the highest possible resolution utilizing a state-of-the-art LSI with 6x6 pixel interpolation, precision gamma correction, and Match Color Conversion™ to produce the highest quality images available.

2 Features

| | |
|--|---|
| TFT-MegaPixel™ Display 1024x768 Dots (2.4 Million Pixels) | All signals remain completely digital to provide the most exact images available. |
| SD/HD SDI Input | SMPTE 259M-C, 292M / ITU-R BT.601; 1080i/60,59.95,50; 1080psF/24,23.98; 1035i/60, 59.94; 720p/60,59.94,50,30,29.97,25 |
| Durable metal enclosure | Protection for all connections and controls with strategically placed ventilation for use in harsh environments |
| Protective Screen Cover | Optical grade polycarbonate screen cover with Antireflective/Antiglare coating |
| HyperProcess™ | Display interlaced images without smearing or sacrificing of temporal resolution with our proprietary interpolation algorithms. Images are then displayed at a sample rate equal to the frame rate. |
| MatchColor Conversion™ | Factory programmed to closely match typical SMPTE/CIE color metric and color temperature specifications. This model is adjusted for D-65 color temperature and 72% SMPTE color gamut |
| OSD | On screen display of Format and Ratio |
| 50,000 hour backlight life | Backlights are the most common failure on a TFT/LCD monitor. This backlight system has an MTBF of 5 years and uses specially designed lamps to provide brighter images. |
| Tally | 2 LEDs (Green, Red) per monitor |

3 Standard Accessories Accessories Supplied with the V-R1042DP-TE4U

- User's manual
- "Brick" type 12VDC power supply with 2-pin twist-lock connector

4 Optional Accessories

| | | | |
|--------------------------------|------------------|---|--------------------------------|
| Mount for IDX Batteries | V-R65-BA |  | Use with V-Mount batteries |
| Power Adapter Cable | V-PAC-XLR |  | Use with 4 Pin XLR connections |

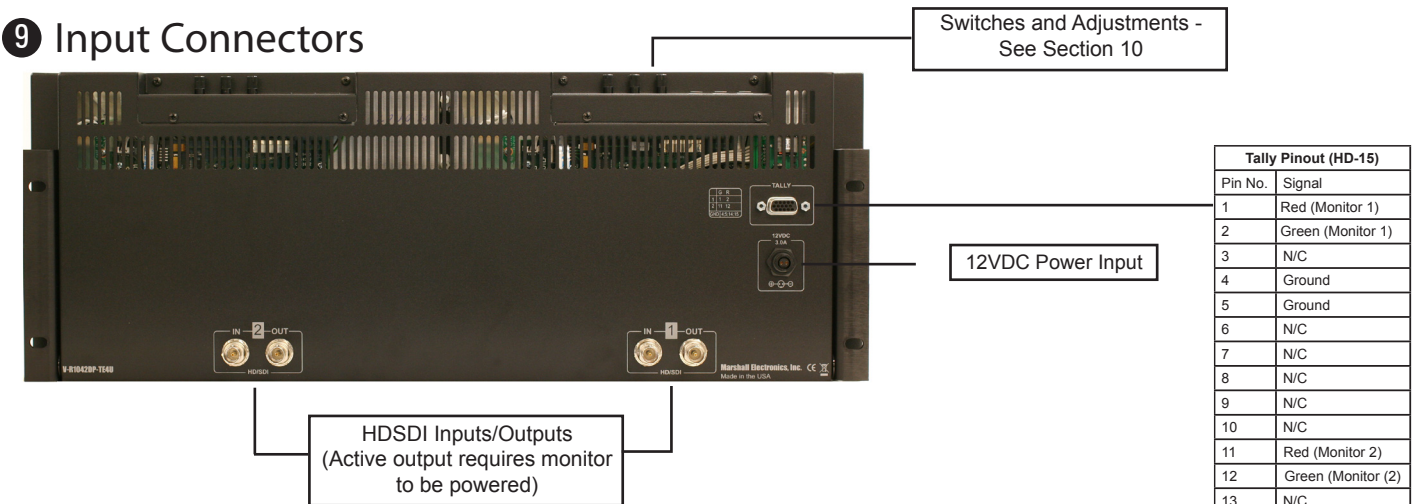
Recommended Anti-Static Cleaners and Polishes

| | |
|--|--|
| 210 Plastic Cleaner & Polish and 210 Plus Cleaner Sumner Laboratories 186 Lincoln Street Boston, MA 02111 617-542-8656 / Fax: 617-482-9001 | 20/20 Plastic-Cleaner Craftics, Inc. PO Box 91930 Albuquerque, NM 87199 (505) 338-0005 |
| Crystalclean Discovery Plastics 3700 Western Way, NE Millersburg, OR 97231 541-926-2900 / Fax: 541-967-8441 www.discoveryplastics.com | Plexus Plastic Cleaner Plexus 638 Lindero Canyon Rd. #371 Agoura, CA 91301 800-405-6495 Fax: 818-879-0697 |
| Scotch-Brite High Performance Cloth 3M Stationery & Office Supplies Div. 3M Center St. Paul, MN 55144-1000 877-362-5684 Fax: 651-733-0382 www.mmm.com | NOVUS #1 Plastic Clean and Shine NOVUS, Inc. 12800 Highway 13 South, Suite 500 Savage, MN 55378 800-548-6872 ext.451 Fax: 952-946-0435 |
| The Simco Industrial Static Control An Illinois Tool Works Co. 2257 North Penn Road Hatfield, PA 19440-1998 800-203-3419 215-822-2171 Fax: 215-822-3795 www.simco.biz | Exair Corporation 1250 Century Circle North Cincinnati, OH 45246-3309 513-671-3322 Fax : 513-671-3363 www.exair.com |

8 Operational Setup

1. Unpack the V-R1042DP-TE4U and accompanying power supply. Physically inspect for any damage that may have occurred during shipping. Should there be any damage, immediately contact Marshall Electronics at 800-800-6608. If you are not located within the continental united states call +1 310-333-0606.
2. The V-R1042DP-TE4U can be mounted in an standard EIA 19-inch rack. The rack ears on the V-R1042DP-TE4U can alternately be used as a table-top stand.
3. Connect required cables for signal input and output. Please note that power must be applied to the V-R1042DP-TE4U for the video output to be activated. All BNC connectors should be rated for 75Ω.
4. Plug the V-PS12-5V-1 power supply into an A.C. source. Attach the 2-pin twist-lock power connector to the back of the monitor. Please note that DC power can be supplied directly to the monitor from a variety of sources, such as a battery adapter or vehicle power. In operation, the V-R1042DP-TE4U will draw approximately 3 Amps. Attach 2-pin twist-lock power connector from VPS12-5V-1 power supply to the back of the unit.
5. Turn on the V-R1042DP-TE4U by pressing the power switch located on the front of the unit.

9 Input Connectors



* Tally lamps active when connected to ground

Optional Accessories (continued)

| | | | |
|--------------------------------------|--------------|---|---|
| Battery Adapter | V-DV-PWR1 |  | Uses 2 Sony DV Cam/HDV FP-Type batteries. When used with monitor power supply, can charge batteries plus operate monitor |
| Sequential 2 channel charger | IDX-VL-2Plus |  | 2-channel sequential charger with a built-in 60W power supply. Charges 2 ENDURA E series batteries in fewer than 5 hours. One 10' XLR cable included. Weighs only 2 lbs |
| Sequential 4 channel charger | IDX-VL-4 |  | Economically charges 4 ENDURA E series batteries in under 6 hours using Full Power Charge (FPC) method |
| Simultaneous 4 channel charger | IDX-VL-4S |  | Charges 4 ENDURA E series batteries in 2.5 hours or less |
| 55 W Lithium Battery | IDX-E7S |  | V-Mount battery pack with 3 LED power Indicator |
| 55 W Lithium Battery with Power Link | IDX-E7 |  | V-Mount Battery Pack with PowerLink includes accurate Power Status Display and supports Digi-View |
| 82 W Lithium Battery | IDX-E10S |  | V-Mount battery pack with 3 LED power Indicator |
| 82 W Lithium Battery with Power Link | IDX-E10 |  | V-Mount Battery Pack with PowerLink includes accurate Power Status Display and supports Digi-View |
| Analog to Digital Converter | BC-0909-AD |  | Converts composite, Y/C, or YPbPr signals to HDSDI |
| Cleaning Wipes | V-HWP-K |  | Package of 10 non-toxic, antistatic, alcohol and ammonia free cleaning wipes. |

5 Electrical Specifications

| | |
|--------------------------|--|
| Display (Viewing Area) | 10.4 Inch diagonal (211.2mm W x 158.4mm H) |
| Screen Aspect | Native 4:3, Switchable to 16:9 |
| Resolution (RGB Dots) | 1024HxRGx768V (2.4 Million Pixels) |
| Viewing Angles | 170°H x 170°V |
| Contrast Ratio | 400:1 |
| Dot Pitch | 0.206mm square pixel |
| Pixel Response | 13ms rise /12ms fall |
| Brightness | 400 cd/m ² |
| Backlight | Field Replaceable CCFL (50,000 hour half life) |
| Screen Treatments | Anti Reflection, Anti Glare, Hard Coat |
| Protective Screen | 0.118" (3mm) thick Optical Grade Polycarbonate with Anti-Glare and Anti-Abrasion coatings. (600 Cheesecloth mil-M-13508C) |
| Estimated MTBF | 5 years of 24/7 operation |
| Inputs | 1 SDI/HDSDI input per screen; SMPTE 259M-C, 292M / ITU-R BT.601; female BNC; 1080i/60,59.95,50; 1080psF/24,23.98; 1035i/60,59.94; 720p/60,59.94,50,30,29.97,25 |
| Active Outputs | 1 SDI/HDSDI output per screen; SMPTE 259M-C, 292M / ITU-R BT.601; female BNC |
| Tally | 2 LEDs (Green, Red) per monitor; female HD-15 connector |
| Color temperature | D65 (6500° Kelvin) |
| Color Gamut | SMPTE-C/EBU |
| Luma Linearity | Typical +/- 3% with 5 ire increments (0 to 10 ire) |
| Power Required | 10.4 to 16.8 VDC |
| Power Consumption | 36 watt nominal for V-R1042DP-TE |
| Operating Temperature | 32°F to 120°F (0°C to 50°C) |
| Storage Temperature | -4°F to 120°F (-20°C to 50°C) |
| Compliance | CE, FCC-Class A, ANSI-63.4 (Certificates on file) |
| RoHS WEEE/Environmental | Do not dispose. Return to Manufacturer or Authorized Recycle Facility |
| V-PS12-5V-1 Power Supply | 14-10 VDC (Universal Voltage 5.0Amps max - UL Class 2 supply included) |

6 Mechanical Specification

| | V-R1042DP-TE4U | V-PS12-5V-1 Power Supply |
|--|---------------------|--------------------------|
| Dimensions (W x H x D) (Main body only) | 18.9" x 7.0" x 1.6" | 4.13" x 2.50" x 1.25" |
| Approx. Weight | 5.0 lbs | 0.65 lbs |

7 Faceplate Cleaning

Faceplate Cleaning

When cleaning the faceplate it is very important to use non-abrasive and ammonia free cleaning agents and a clean micro fiber cloth. **Do not use paper towels. Paper towel fibers are coarse and may scratch the surface of the Polycarbonate faceplate. Paper towels may also leave streaks on the surface.** Antistatic and fingerprint resistant cleaning agents are recommended. Wash protective cover with a solution of mild soap or detergent and lukewarm water. Use a clean soft cloth, applying only light pressure. Rinse with clean water and dry by blotting with a damp cloth or chamois. Grease, oil or tar may be removed with a good grade of hexane, aliphatic naphtha, or kerosene. These solvents may be obtained at a paint or hardware store and should be used in accordance with manufacturer's recommendations.

DO NOT USE: window cleaning sprays, kitchen scouring compounds or solvents such as acetone, gasoline, benzene, alcohol, carbon tetrachloride, or lacquer thinner. These can scratch the sheet's surface and/or weaken the sheet causing small surface cracks called "crazing."

Faceplate Dusting

Dust with a soft, damp cloth or chamois. Dry or gritty cloths may cause surface scratches and create a static electric charge on the surface. Neutralizing static electricity effects by using recommended cleaning and polishing practice.

Faceplate Polishing

Protect and maintain surface gloss by occasional polishing with a good plastic cleaner and polish. Apply a thin, even coat with a soft clean cloth and polish lightly with cotton flannel. Then wipe with a damp cloth to help eliminate electrostatic charges that can attract dust particles.

Marking on the Faceplate

Use SHARPEE or equivalent marker. Clean as per instructions with an ammonia free cleaning agent.