



20608 Madrona Avenue, Torrance, CA 90503 USA

V-1070 / V-1070CCIR 1/2" HIGH RESOLUTION B/W CAMERA



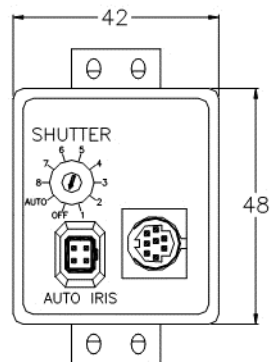
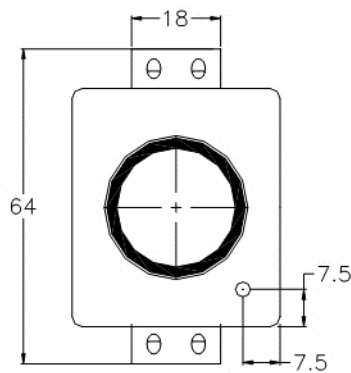
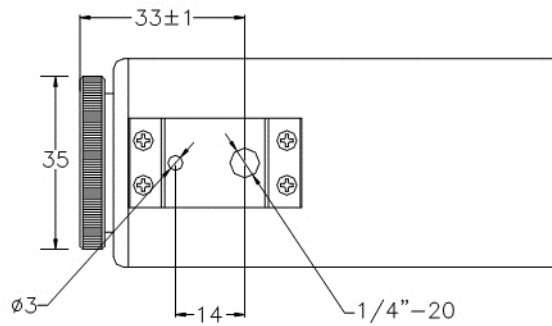
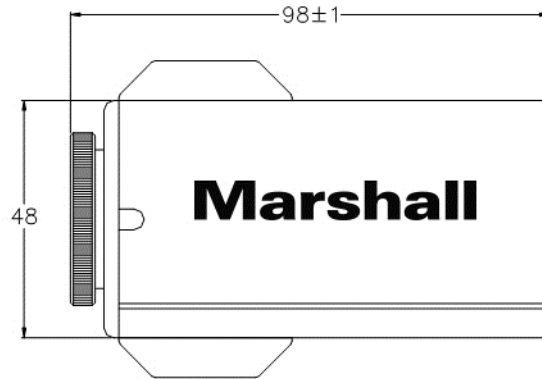
1. SPECIFICATION

TV System	V-1070	V-1070CCIR
Image Device	1/2 - inch CCD Image Sensor	
Image Area	7.95 mm X 6.45 mm	
CCD Total Pixels	811 (H) X 508 (V)	795 (H) X 596 (V)
Frequency --- Horizontal	15.734 K Hz	15.625 K Hz
Frequency --- Vertical	60 Hz	50 Hz
Scanning System	525 Lines , 60 Fields / sec	625 Lines , 50 Fields / sec
SYNC System	Internal / External SYNC	
External SYNC	Composite Video Signal or Composite SYNC Signal (500 mv p-p TTL)	
Minimum illumination	0.02 Lux at F1.2	
S / N Ratio	Better than 48 dB	
Resolution	600 TV Lines Horizontal	
BLC Function	OFF / (ON)	
Gamma Correction	0.45 / (1) / (0.2)	
Gain Control	AUTO , 4dB ~ 32dB / (MANU)	
Electronic Shutter	10-Seg. Rol-SW (OFF / FIX : 8 step / AES : 1/60 or 1/50 ~ 1/100,000 sec)	
Video Output	Composite 1.0V P-P at 75 ohm	
Video Connector	8P mini Dim-Plug	
Auto-iris Output	AI / (DD)	
Auto-iris Connector	4 - Pole Plug	
Power Voltage	DC 12V ± 10 %	
Power Consumption	250mA / 3 W	
Power Connector	8P mini Din-Plug	
Lens Mount	C / CS	
Operating Humidity	Within 85 % RH	
Operating Temperature	-10 °C - 50 °C	
Weight	300 g Without Lens	
Dimensions	42 mm (W) X 64 mm (H) X 98 mm (D)	

* Specification , appearance may change without notice .

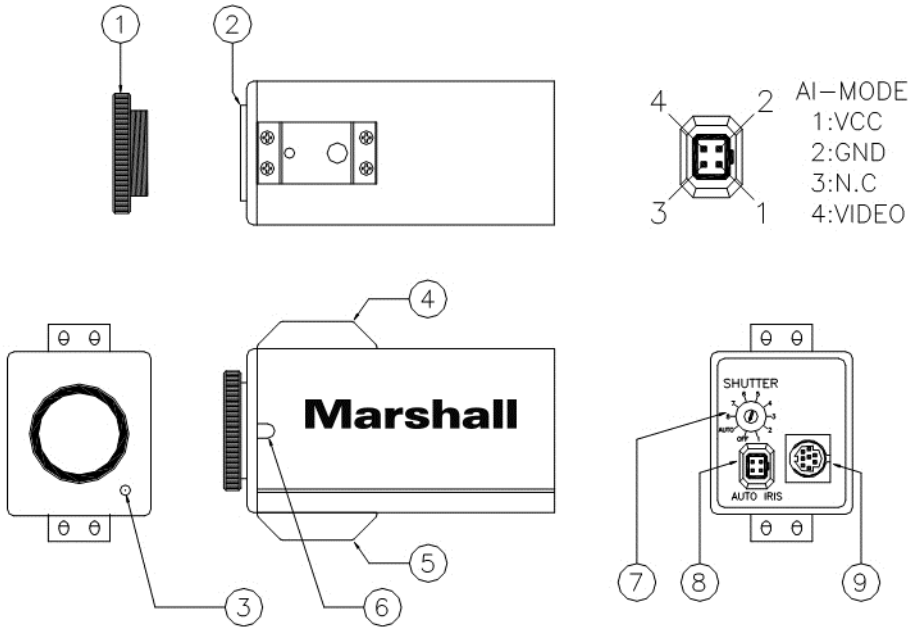


2. DIMENSION --- (unit: mm)

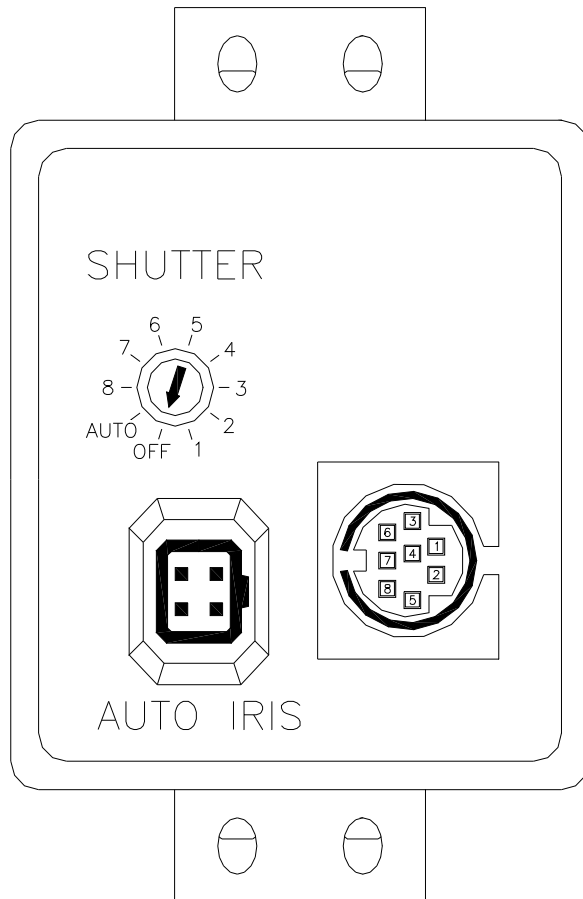




3. CONNECTION

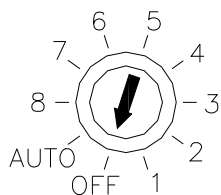


- 【1】 C-Mount lens adaptor.
- 【2】 CS-Mount.
- 【3】 Power indicator.
- 【4】 Top mounting thread.
- 【5】 Bottom mounting thread.
- 【6】 Lens mount fixing screw.
- 【7】 Shutter mode selector (10-Seg. Roll-SW).
- 【8】 Auto iris output connector (4-pole Plug).
- 【9】 (8P mini Din-Plug)
 - a. Video signal output connector
 - b. +12VDC power input connector.
 - c. External SYNC signal input connector.
 - d. AGC/MGC & GAMMA control input connector.

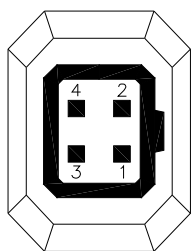




SHUTTER mode selector ---

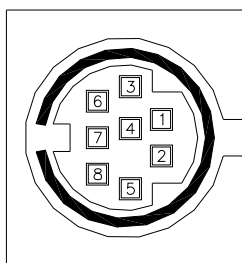


- OFF: Shutter OFF.
- S1 : 1/100,000sec.
- S2 : 1/10,000 sec.
- S3 : 1/5,000 sec.
- S4 : 1/2,000 sec.
- S5 : 1/1,000 sec.
- S6 : 1/500 sec.
- S7 : 1/250 sec.
- S8 : 1/100sec,(1/120sec)
- AUTO: 1/60~1/100,000 sec.
(1/50~1/100,000 sec)



4P IRIS connector ---

- P1 : DC+9V.(Vcc)
- P2 : GND.
- P3 : NO connector.
- P4 : IRIS control signal. (video)

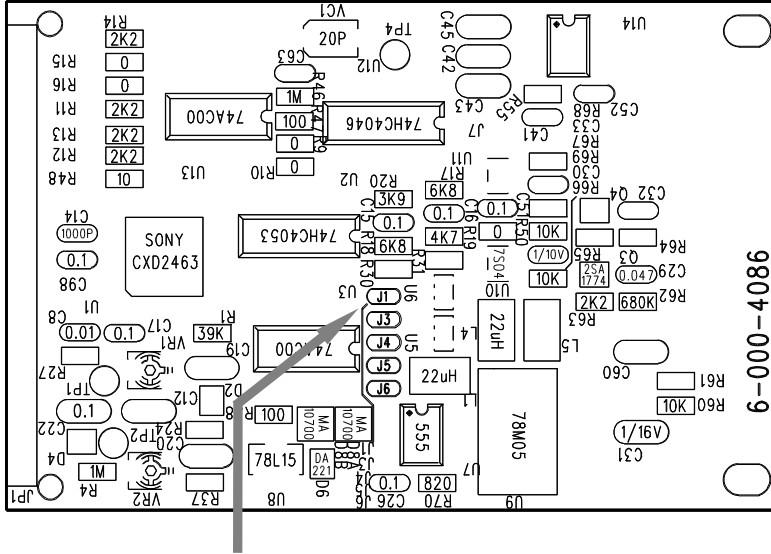


8P Mini Dim-Plug connector ---

- P1 : GND.
- P2 : GND.
- P3 : Gamm1.
- P4 : Gamm2.
- P5 : Power supply input DC+12V.
- P6 : External sync input.
- P7 : Video output.
- P8 : Manual gain control input DC+2V~4V.

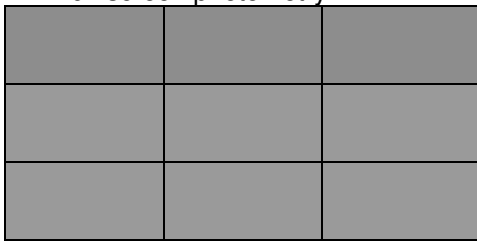
- *Gamma=1 : P4 OPEN, P3 don't care.
- *Gamma=0.45 : P4 ground, P3 OPEN.
- *Gamma=0.2 : P4 geound, P3 ground.

4. BLC (Back-light compensation) MODE SELECTOR---



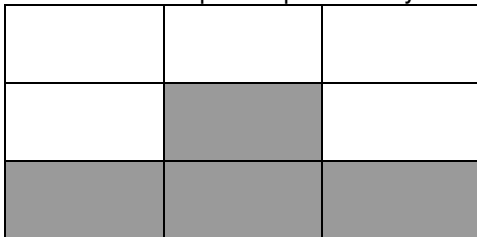
BLC OFF --- J1=SHORT (Default)

Full-screen photometry

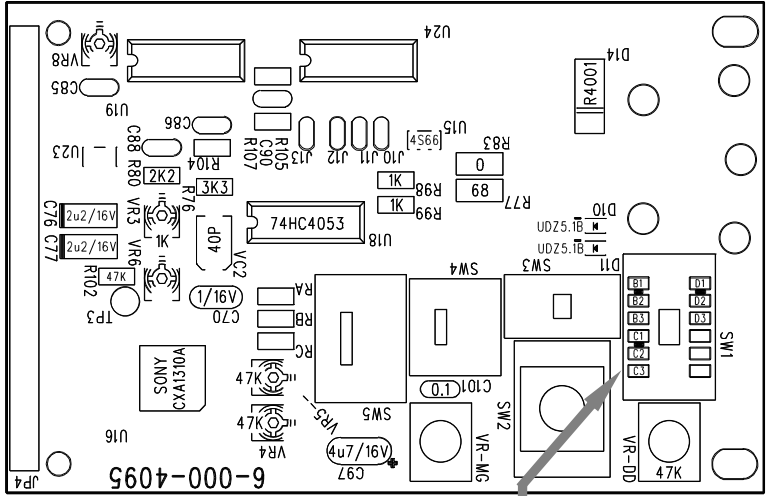


BLC ON --- J1=OPEN

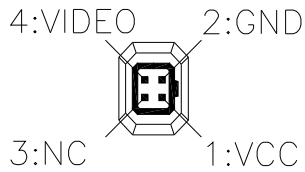
Bottom+Center emphasis photometry



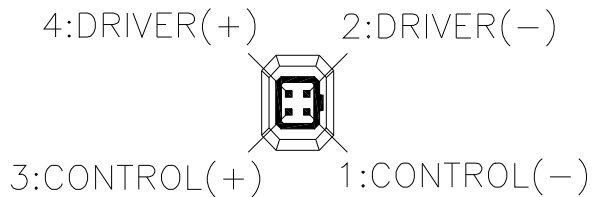
5. AUTO IRIS MODE SELECTOR ---



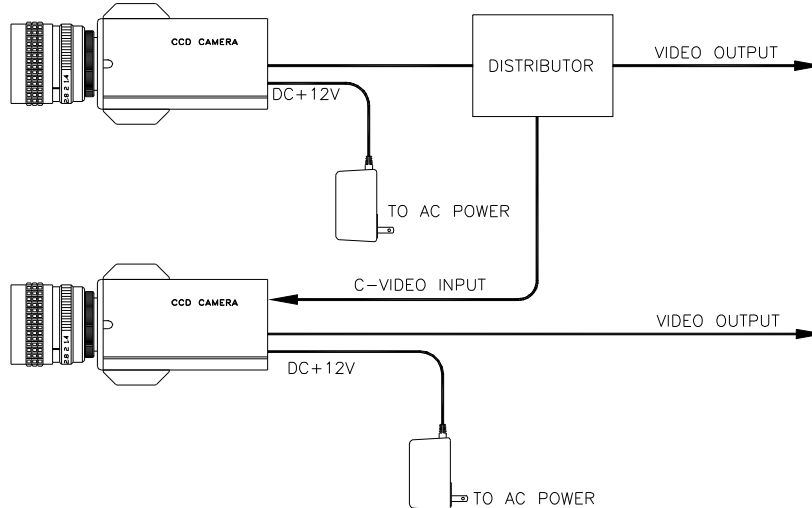
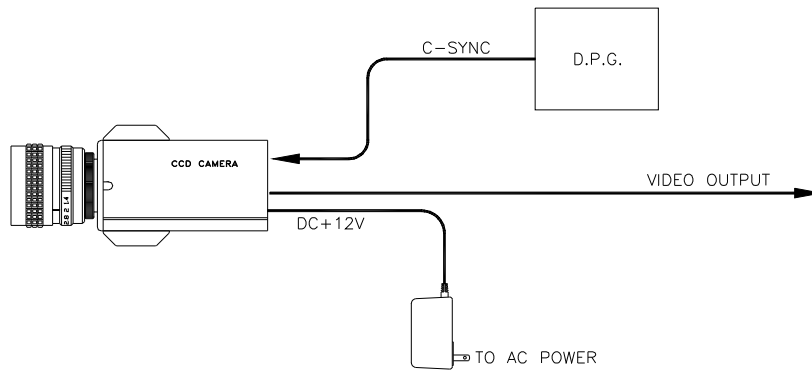
- AI-MODE** --- a. With 0Ω to short B1-B2 of SW1.
 (Default) b. With 0Ω to short C1-C2 of SW1.
 c. With 0Ω to short D1-D2 of SW1.



- DD-MODE** --- a. With 0Ω to short B2-B3 of SW1.
 b. With 0Ω to short C2-C3 of SW1.
 c. With 0Ω to short D2-D3 of SW1.
 d. Iris is controlled by VR-DD.



6. WIRING DIAGRAM, EXTERNAL SYNC





Marshall Electronics

20608 Madrona Avenue, Torrance, CA 90503 USA

7. OPTIONAL V-PS12-1070 POWER SUPPLY

120VAC 60Hz

12VDC 500mA Regulated

Prewired:

6 ft cable Camera 8P mini Din-Plug, 12VDC Input

3 ft cable BNC Video out connector

