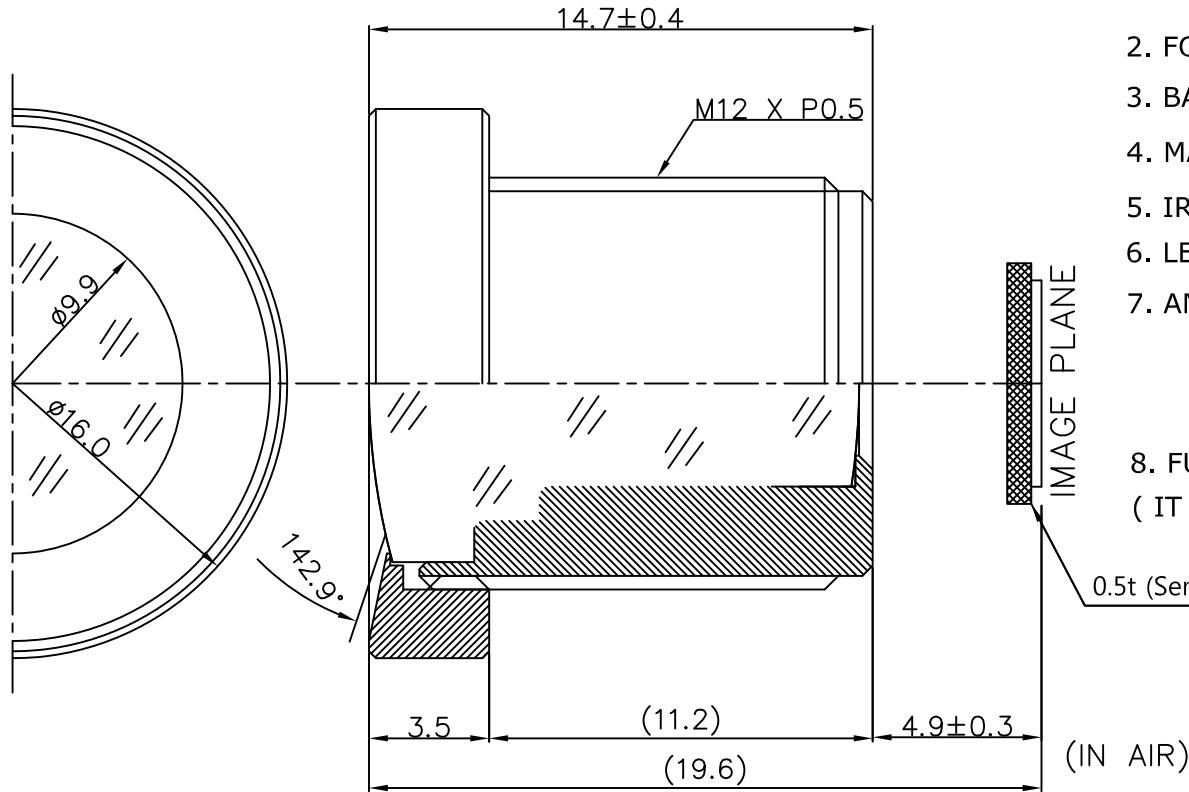


# 2.9 MM ( FT TYPE )



1. SENSING AREA : OV2715[Omnivision 2MP 1/2.7"CMOS]  
& IMX122[Sony 2MP 1/2.9"CMOS]
2. FOCAL LENGTH : 2.9MM ± 5%
3. BACK FOCAL LENGTH : 5.2MM ± 5%
4. MAXIMUM RELATIVE APERTURE : 2.0 ± 5%
5. IRIS : FIXED
6. LENS CONSTRUCTION : 6 COMPONENTS 6 ELEMENTS
7. ANGULAR FIELD OF VIEW : OV2715 & IMX122  
 DIAGONAL 142.9° 133.4°  
 HORIZONTAL 120.8° 109.9°  
 VERTICAL 64.5° 67.1°
8. FUNCTION : IR- Correction Lens  
 ( IT IS CHANGEABLE ON EXTERNAL DIMENSION  
 BY CUSTOMER'S REQUIREMENT.)

0.5t (Sensor Cover Glass)

(IN AIR)

			TOLERANCES	Designed		Title	f=2.9MM Fno 2.0 2.0 Mega-Pixel Lens	
			ANGLE 1°/2	Checked				
			X. ± 0.2	Approved				
			.X ± 0.1 .XX ± 0.05					
<b>A4</b>	Scale	N/S		Dwg No.		DATE	2013.05.16	REVISION NO. -00