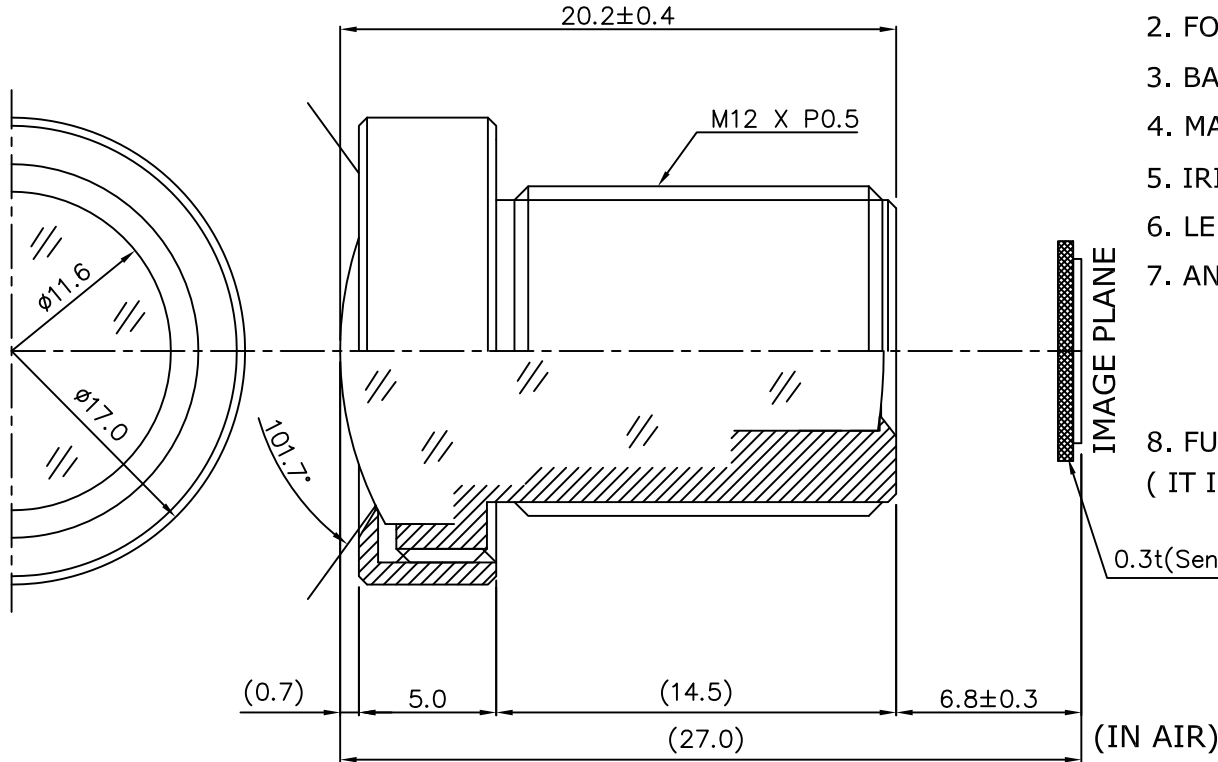


4.0 MM (FT TYPE)



1. SENSING AREA : OV2715[Omnivision 2MP 1/2.7"CMOS]
& IMX036[SONY 3.23MP 1/2.8"(2080 X 1553)]
2. FOCAL LENGTH : 4.0MM ± 5%
3. BACK FOCAL LENGTH : 7.2MM ± 5%
4. MAXIMUM RELATIVE APERTURE : 2.0 ± 5%
5. IRIS : FIXED
6. LENS CONSTRUCTION : 6 COMPONENTS 6 ELEMENTS
7. ANGULAR FIELD OF VIEW :

	OV2715	&	IMX036
DIAGONAL	101.7°		98.1°
HORIZONTAL	87.7°		77.4°
VERTICAL	48.0°		57.0°
8. FUNCTION : IR- Correction Lens
(IT IS CHANGEABLE ON EXTERNAL DIMENSION
BY CUSTOMER'S REQUIREMENT.)

IMAGE PLANE

0.3t(Sensor Cover Glass)

(IN AIR)

			TOLERANCES	Designed		Title	f=4.0MM Fno 2.0 2 Mega-Pixel Lens	
			ANGLE 1°/2	Checked				
			X. ± 0.2	Approved				
			.X ± 0.1 .XX ± 0.05					
A4	Scale	N/S		Dwg No.		DATE	2012.01.31	REVISION NO. -00