

TECHNOLOGY REPORT

Marshall Electronics, Inc.

1910 East Maple Av, El Segundo, CA 90245 USA

TEL : 310-333-0606

FAX : 310-333-0688

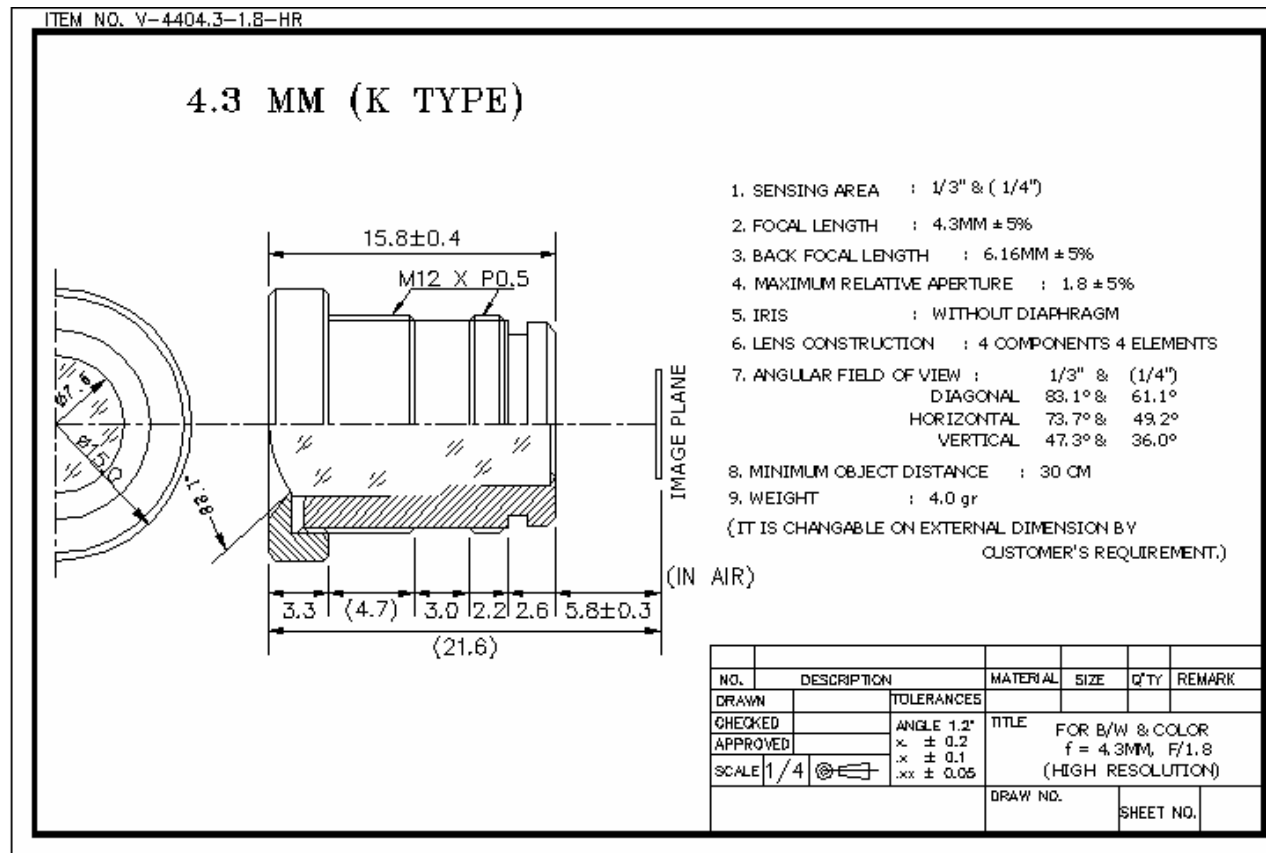
Website: www.mars-cam.com

Email: sales@mars-cam.com

V-4404.3-1.8-HR

4.3mm F1.8 High Resolution CCTV Lens

Specification Sheet Date



TECHNOLOGY REPORT

Marshall Electronics, Inc.

1910 East Maple Av, El Segundo, CA 90245 USA

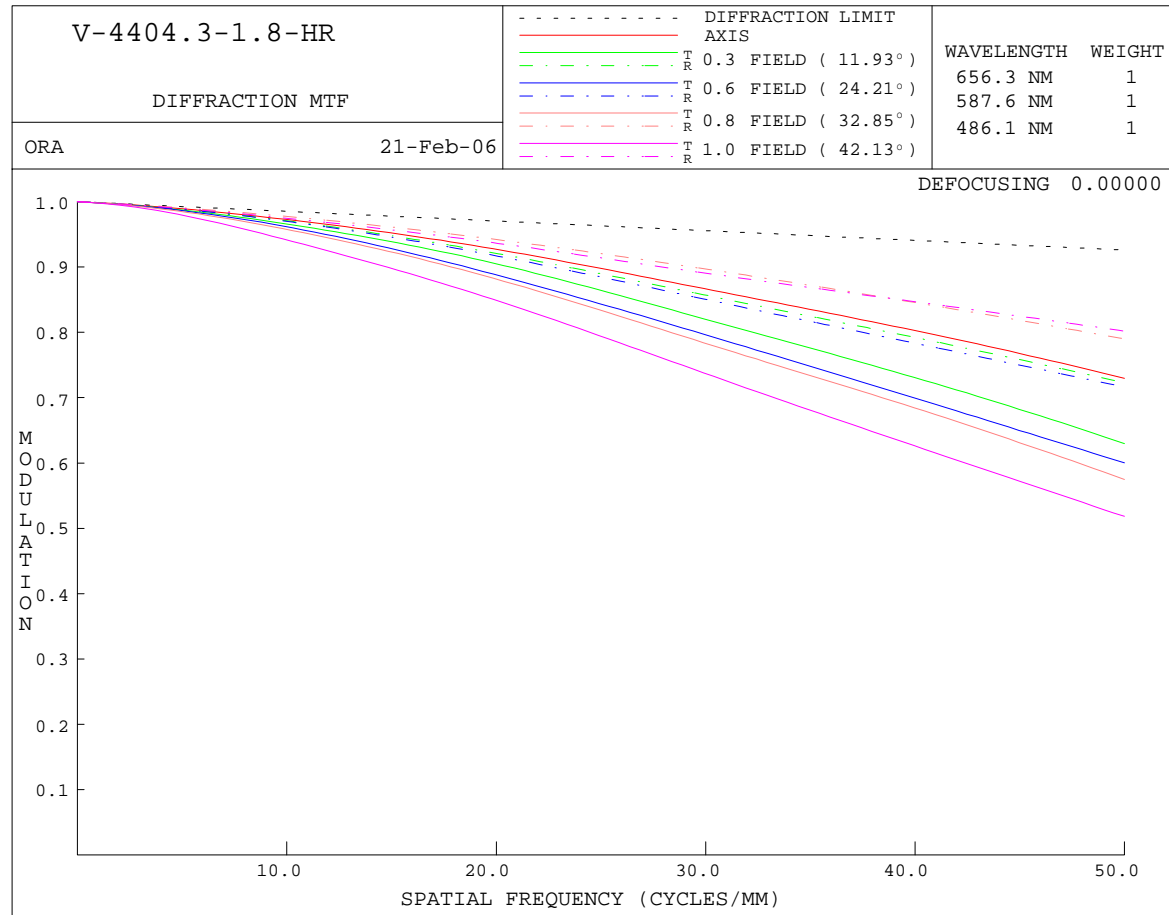
TEL : 310-333-0606

FAX : 310-333-0688

Website: www.mars-cam.com

Email: sales@mars-cam.com

MTF (modulation transfer function)



TECHNOLOGY REPORT

Marshall Electronics, Inc.

1910 East Maple Av, El Segundo, CA 90245 USA

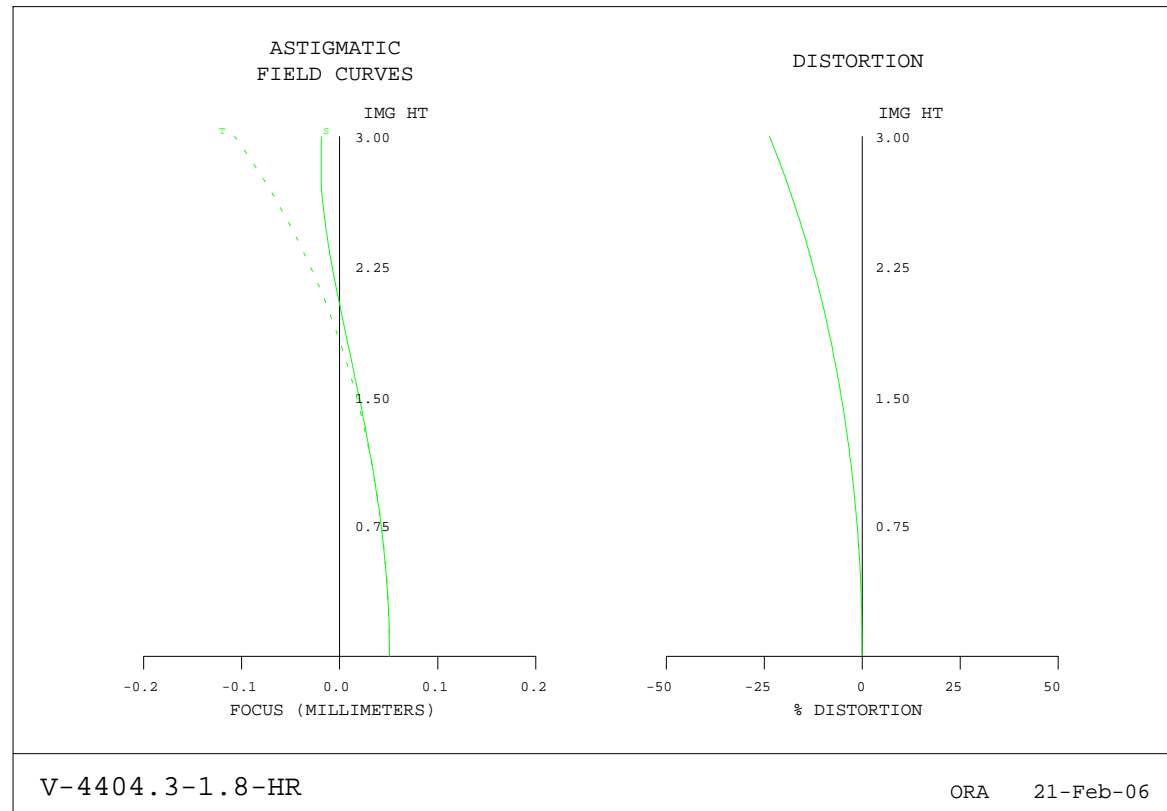
TEL : 310-333-0606

FAX : 310-333-0688

Website: www.mars-cam.com

Email: sales@mars-cam.com

Optical Distortion



TECHNOLOGY REPORT

Marshall Electronics, Inc.

1910 East Maple Av, El Segundo, CA 90245 USA

TEL : 310-333-0606

FAX : 310-333-0688

Website: www.mars-cam.com

Email: sales@mars-cam.com

ROTATIONALLY SYMMETRIC FIELD ABERRATIONS

POSITION 1 V-4404.3-1.8-HR

WAVELENGTH 587.6 NM

RELATIVE FIELD HEIGHT	IMG HT	X-FOCUS AT THE IMAGE SURFACE	Y-FOCUS	X-FOCUS (DISPLACED BY 0.000000)	Y-FOCUS	DISTORTION (PER CENT)
--------------------------	--------	---------------------------------	---------	------------------------------------	---------	--------------------------

0.00	0.00	0.050838	0.050838	0.050838	0.050838	0.00000
0.10	0.30	0.049459	0.049546	0.049459	0.049546	-0.21018
0.20	0.60	0.045388	0.045642	0.045388	0.045642	-0.84329
0.30	0.90	0.038828	0.039042	0.038828	0.039042	-1.90728
0.40	1.20	0.030129	0.029598	0.030129	0.029598	-3.41589
0.50	1.50	0.019810	0.017087	0.019810	0.017087	-5.38967
0.60	1.80	0.008597	0.001192	0.008597	0.001192	-7.85743
0.70	2.10	-0.002517	-0.018519	-0.002517	-0.018519	-10.85865
0.80	2.40	-0.012175	-0.042618	-0.012175	-0.042618	-14.44709
0.90	2.70	-0.018482	-0.071838	-0.018482	-0.071838	-18.69686
1.00	3.00	-0.018706	-0.107061	-0.018706	-0.107061	-23.71243

Units of focus are MILLIMETERS