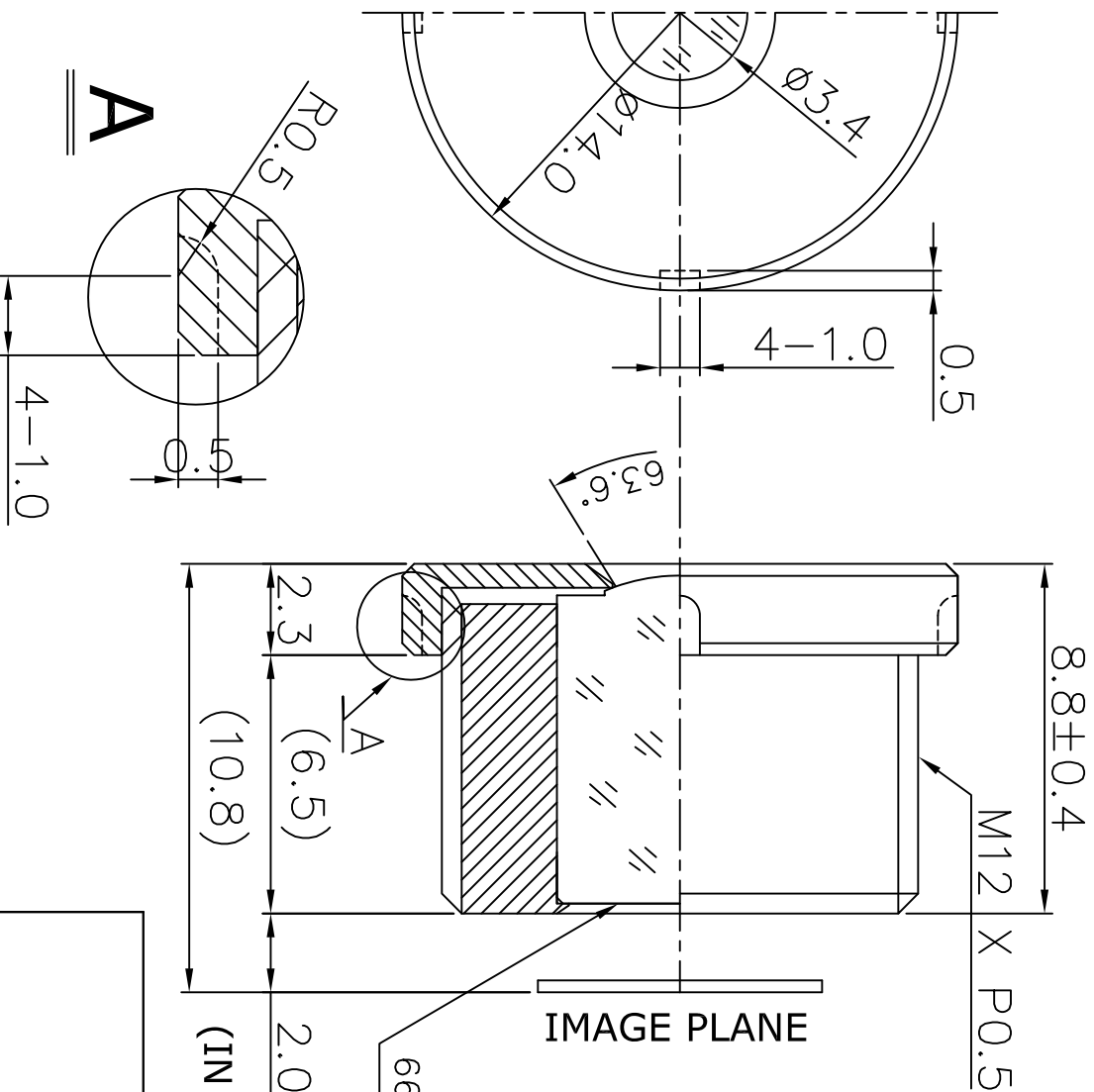


6.3MM (FT TYPE)



1. SENSING AREA : 1/2.5" CMOS (MT9P031)
2. FOCAL LENGTH : 6.3MM ± 5%
3. BACK FOCAL LENGTH : 2.25MM ± 5% (IN AIR)
4. MAXIMUM RELATIVE APERTURE : 2.0± 5%
5. IRIS : FIXED
6. LENS CONSTRUCTION : 5COMPONENTS SELEMENTS
7. ANGULAR FIELD OF VIEW :

DIAGONAL	63.6°
HORIZONTAL	51.2°
VERTICAL	38.8°
8. COATING : SLAR COATING (550nm±10nm, R <0.5%)
660nm IR-CUT COATING
(IT IS CHANGEABLE ON EXTERNAL DIMENSION
BY CUSTOMER'S REQUIREMENT.)

660nm IR-CUT Coating

2.0 ± 0.3
(IN AIR)

TOLERANCES	Designed	BANG HYE SUN	Title	f=6.3MM Fno 2.0
	Checked	KIM MYUNG SUCK		
ANGLE 1°/2	Approved	PARK JIN HYUN	DATE	2010.02.19
X. ± 0.2	Dwg No.	HK-M635S(FTG)	REVISION NO.	-00
.X ± 0.1				
.XX ± 0.05	Scale	N/S	A4	