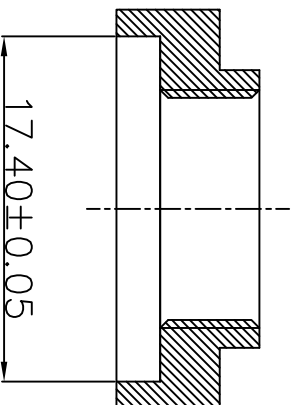
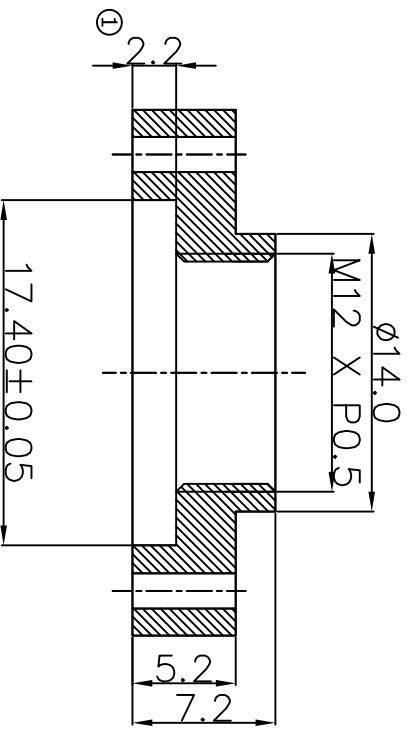
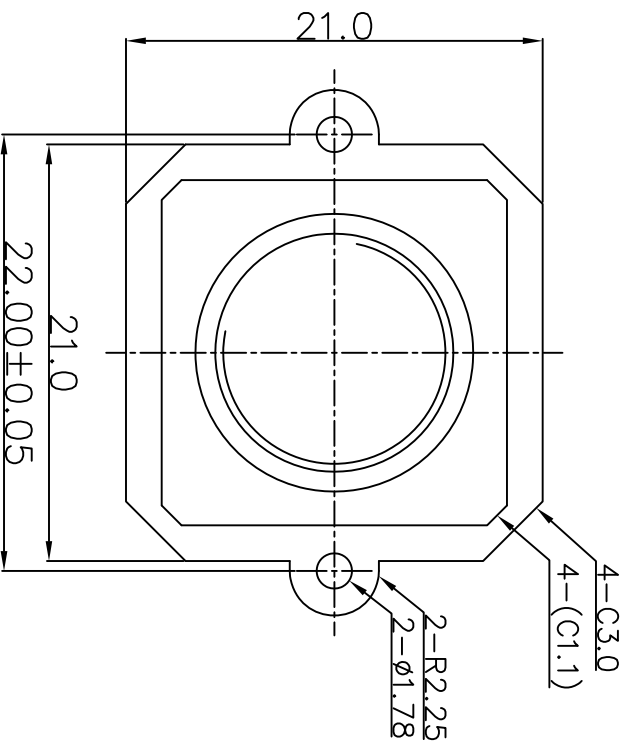


No.	DESCRIPTION	DATE	CHECKED	APPROVED
①	4.0mm->2.2mm changes due to NG of burr	2012.04.19	S.Y.Kim	J.H.Park



TOLERANCES		Designed	S.Y. KIM	Title name	V-LH07	
ANGLE 1°/2	Checked			Assy	-	
X. ± 0.2						
.X ± 0.1	Approved			Material	PA66-G30%	
.XX ± 0.05				DATE	290321	REVISION NO. 01
A4	Scale 2 : 1	Dwg No.				