

Marshall Electronics

CV360-CGB

2MP HDSDI / HDMI Broadcast Camera (GenLock in 1920x1080p)




User's Manual


2014.08.20 VER.

CAUTION

Please read precautions before the using this product.

- ▶ This manual is created to prevent camera loss and to protect user safety.
- ▶ The following symbols explain the damage or loss if not used properly.

	WARNING	Indicates that there may be cause of injury or loss if user violates the notice.
---	----------------	--

	CAUTION	Indicates that there may be cause of death or critical injury if the user violates the notice.
--	----------------	--



Precautions

1. Moisture

Do not install the product in areas with high humidity or rain penetration. It may cause malfunction and fire if water enters into the camera's internal compartments.

2. Repair

Do not modify or disassemble. There may be risk of electric shock, etc. In case of a camera fault, please don't fix it directly, please contact manufacturer.

3. Power

Do not use other Power Supply not specified by company. There may be cause for electrical shock or damage to camera.

4. Conditions

Do not install this camera in extreme temperatures, such as too hot or too cold areas.

(Recommended use temperature : -5 °C ~ 50 °C)

5. Sun Light

If the camera lens is exposed to direct sun or strong light, damage can occur to camera or camera components.

6. Shock or Vibration

Be careful not to drop the camera or expose to strong shock.

7. Installation in unstable places

Do not install the camera on unstable mounts or fixtures, tripods, brackets, tables as it can cause people to get hurt or damage to be done to camera product.

8. If the camera is not working properly

If the camera is not operating correctly (for example, strange noise, smell or smoke), please stop using it immediately, remove power source, and contact your local dealer.

9. Cleaning

Turn off the camera and remove from power source during cleaning and use dry cloth to clean camera or lens components.

If material is hard to remove, please use furniture cleaner or unabrasive material to clean camera housing .

When cleaning LENS, please use lens blower or lens cleaning tissue.

If you have further questions about cleaning please consult your local camera dealer or supplier.

10. Exposure to the light source

In case of abnormal light sources, Horizontal or Vertical lines may appear in monitor. This 'smear' effect is a compensation feature of the semiconductor device itself, not a breakdown. Please use recommended light sources.

11. How to request troubleshooting help or request a RMA repair

Please contact Marshall Electronics for repair in the following cases after the camera is removed from the power source.

- A. If the connector of the power supply is broken,
- B. If you expose the camera to rain or water,
- C. If liquid or material has been spilled into the camera,
- D. If it is not turning on while following instructions of the camera setup described in this document.

Control adjustments of the camera are not working properly.

(The camera to be operated in a manner not described in the documentation there is a larger danger of damage.)

- E. If the camera has been dropped and damaged
- F. If there is a distinct change in performance

Damage of product caused by Natural disasters such as lightning strike or inadvertent installation will be repaired at MEI repair rates and labor cost.

Contents

<i>1. Features</i>	-----	<i>5</i>
<i>2. OSD operation</i>	-----	<i>6</i>
<i>3. Genlock Description</i>	-----	<i>11</i>
<i>4. Precautions of Installment</i>	-----	<i>12</i>

Thank you for purchasing the CV360-CGB. If you want to get a better understanding of this products functions and capabilities, please read the user manual carefully before using this product. Keep this User's Guide for future reference. If a problem occurs during the use, please contact Marshall Electronics.

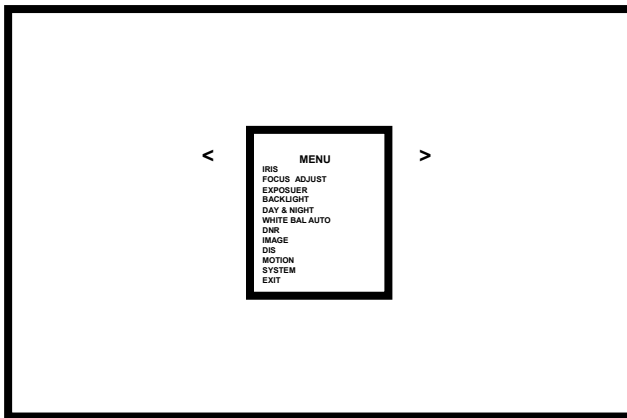
1. Features

- ◆ This product is a 1/3" CMOS 2.1 MegaPixel Full-HD Progressive Scan, high sensitivity color Broadcast camera for all types of video production projects and applications
- ◆ Utilizing a 1/3" 2.1MegaPixel Panasonic C-MOS High Performance Sensor
- ◆ HD-SDI/3G-SDI/HDMI: 1920x1080p – 25, 29.97, 30, 50, 59.94, 60fps, 1920x1080i – 50, 59.94, 60fps, 1280x720p – 50, 59.94, 60fps
- ◆ SDI signal Standardization: SMPTE292M (SMPTE274M)
- ◆ High sensitivity: 0.1lux low luminance (F1.2, 50IRE AGC MAX, DSS 4X:0.01 Lux)
- ◆ GENLOCK Support SYNC mode in 1080p-50, 59.94, 60fps
 1. GENLOCK SYNC Signal: Tri-Level 1.2Vp-p(75 Ω)
 2. Camera to Camera link SYNC Mode
 - a) Master mode: Genlock SYNC Output
 - b) Slave mode: Genlock SYNC Input
 - c) Disable mode: Genlock Signal - No Input / No Output
- ◆ OSD control :

Automatic gain control, Electronic Level control or Auto level control, level of maximum accumulation level adjustment, WDR, BLC, HLC, Genlock mode, Default title and camera ID settings, OSD arbitrary adjustments.

 - White balance mode(WB) : AUTO / AUTOEXT / PRESET / MANUAL(R-Gain, B-Gain)
 - Back light compensation : BLC / WDR
 - High light Back light compensation : HLC
 - Noise remove(DNR): OFF / LOW / MIDDLE / HIGH
 - Accumulation mode(SENS-UP) : OFF / 2X / 3X / 4X / 8X / 16X / 32X
 - Day & night setting(DAY &NIGHT) : AUTO / B/W / COLOR / EXTERN
 - Privacy masking : BOX / POLYGON
 - Motion detect : OFF / ON
 - Zoom(D-ZOOM) : 1.0x~16.0x
 - Analog video output: CVBS 1.0Vp-p , NTSC, PAL
 - Digital Image Stabilizer function(DIS) : RANGE / FILTER / AUTO C
 - GENLOCK Function : Disable / Master / Slave
 - IMAGE RANGE : FULL / COMP / USER

2. OSD Menu manipulation explanation



<2-1. OSD Menu Location >

Caution

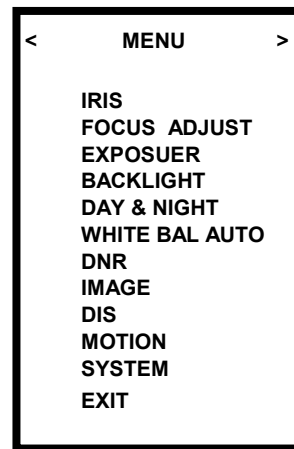
Press OSD Menu button on back of camera for 3 seconds, This will start OSD menu on screen. Press "set button" again to move into the "SUB menu" in OSD "⌂" menu. Press the button for more than 3 seconds to activate "push menus".

2.1 How to display On-Screen-Display (OSD) Menu

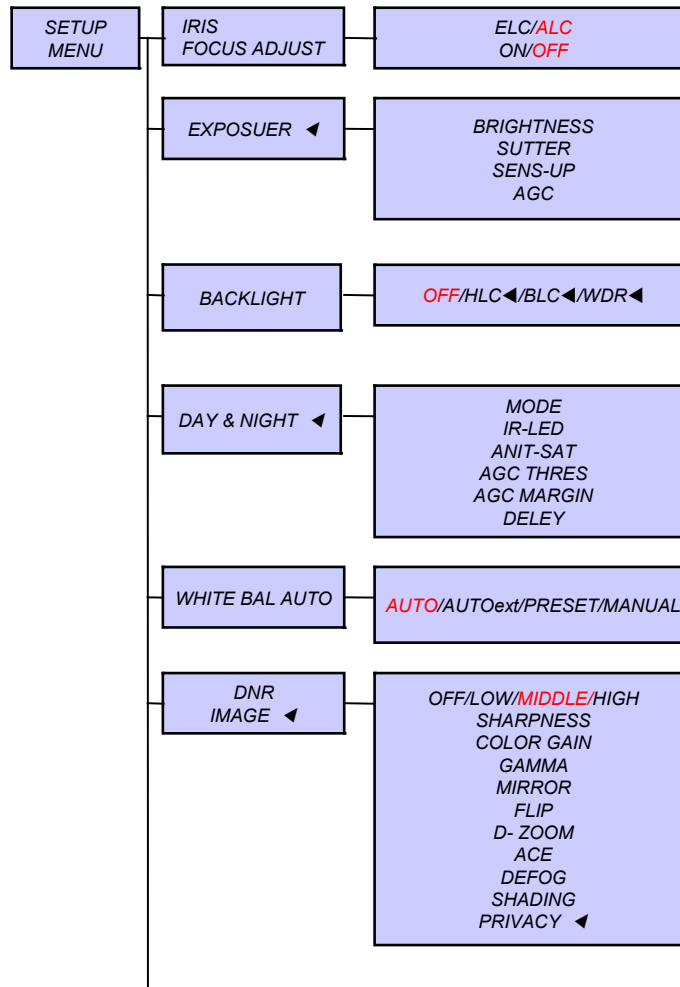
- User can activate OSD menu by pressing "set button". If no other commands are given, OSD menu will disappear.
- Activation of OSD Menu disappear without camera title. If you don't want to show camera title, please change inner OSD in camera. (optional for use with RS-232 communication control.)
- User can change camera title (ID) locations.

2.2 Activate "OSD MENU"

- Press "set button" to Move to the Menu setting display on monitor.
- Press "Up button" to move upper menu or "Down button" to move bottom menu. Selected menu item is illuminated in yellow color when on specific feature.
- Press "right button" to increase data value "or "left button" to decrease it.
- Press right button in "OSD < MENU>" to move into the sub menu bar right away. User can choose 1~12 menu. And vise versa when you press "left button."



<2-2. Setting start menu display>



<Picture 2-3 Menu Tree >

2.3 How to start "OSD SUB MENU"

1. IRIS : Which controls the amount of light entering for the camera

- 1) Electronic Level Control : Using the electronic Shutter
- 2) Auto Level Control: Using the Lens Shutter
< ELC/ALC >

2. FOCUS ADJUST: Focus Lens be controlled focus by Automatic < ON/OFF >

3. EXPOSUER

- 1) BRIGHTNESS : Set the basic brightness of display
< 0 ~ 20 Steps, 10 >
- 2) SUTTER: Control shutter speed to adjust brightness.
< AUTO / MANUAL /FLICKER >
 - ① AUTO : Auto Shutter speed mode
 - 1] AUTO/ SUTTER (ELC)
< NORMAL/DEBLUR >
 - 1> NORMAL: Auto Shutter mode in ELC
 - 2> DEBLUR : Correct to Developing Attraction by Automatic
 - 2] AUTO/ SUTTER (ALC)
< INDOOR/OUTDOOR/OUTDOOR2/DEBLUR >
 - 1> INDOOR : It just iris without rolling effect in indoor
 - 2> OUTDOOR : It is solution mode for low quality display because of closed iris at outdoor.
 - 3> OUTDOOR 2: It improve losing focus in strong sun beam at "Outdoor"
 - 4> DEBLUR : Correct to Developing Attraction by Automatic
 - ② MANUAL : Control shutter Speed to adjust brightness
<SPEED (1/30(25), 1/60(50),1/120(100), 1/250,1/500,1/1000,1/1600,1/2500, 1/5000,1/7000,1/10000,1/30000) >
 - ③ FLICKER : Correct to flashing on the screen
- 3) SENS-UP : Accumulation Mode
< OFF/2X/3X/4X /8X/16X/32X >
- 4) AGC : Full gain value setting (AGC)
< 0 ~ 10 steps, 10 (OFF ~32dB)>

4. BACKLIGHT

- 1) HLC : High light back light compensation.
(make part of the brightness dark)
< LEVEL (0 ~ 20 steps), 10 >
< COLOR (BLK,WHT,YEL,CYN,GRN,MAG,RED,BLU) >
- 2) BLC : Turn box notice at back light zone of display
< H-POS, 8 > : Set to move BLC back light area box into left and right
< V-POS, 8 > : Set to move BLC back light area box into up and down.
< H-SIZE, 3 > : Set BLC back light area box's size into right and left
< V-SIZE, 3 > : Set BLC back light area box's size into up and down
- 3) WDR : Set the back light compensation level in WDR mode
< WEIGHT (LOW, MIDDLE, HIGH) >

- 10) PRIVACY◀ : Set the range of privacy protection zone
- ① BOX : The use of the privacy function to the Box mode
 < OFF/ON◀ >
- 1] ZONE NUM : Select to the desired box
 < 0~7 steps, 0 >
 - 2] ZONE DISP : Set the position and size that User want to value
 < OFF/ON◀ >
 - 3] H-POS : The Select box move to the right and left
 < 0~60 steps, 12 >
 - 4] V-POS : The Select box move to the up and down
 < 0~40 steps, 2 >
 - 5] H-SIZE : The size of the selected box is adjusted to the right and left
 < 0~40 steps, 3 >
 - 6] Y-SIZE : The size of the selected box is adjusted to the up and down
 < 0~40 steps, 3 >
 - 7] Y LEVEL : The value of the box is between black and white
 ("0" is black and "20" is white)
 < 0~20 steps, 10 >
 - 8] CB LEVEL : The value of the box is between green and blue
 ("0" is green and "20" is blue)
 < 0~20 steps, 10 >
 - 9] CR LEVEL : The value of the box is between green and red
 ("0" is green and "20" is red)
 < 0~20 steps, 10 >
- 10] TRANS : Set the transparency
 < 0~3 steps, 2 >
- ② POLYGON : The use of the privacy function to the customer mode
 < OFF/ON◀ >
- 1] ZONE NUM : Select to the desired box
 < 0~7 steps, 0 >
 - 2] ZONE DISP : Set the position and size that User want to value
 < OFF/ON◀ >
 - 3] POS0-X : Adjust the left and right of the top left corner
 < 0~121 steps, 80 >
 - 4] POS0-Y : Adjust the up and down of the top left corner
 < 0~69 steps, 5 >
 - 5] POS1-X : Adjust the left and right of the top right corner
 < 0~121 steps, 88 >
 - 6] POS1-Y : Adjust the up and down of the top right corner
 < 0~69 steps, 5 >
 - 7] POS2-X : Adjust the left and right of the bottom right corner
 < 0~121 steps, 88 >
 - 6] POS2-Y : Adjust the up and down of the bottom right corner
 < 0~69 steps, 13 >
 - 8] POS3-X : Adjust the left and right of the bottom left corner
 < 0~121 steps, 80 >
 - 9] POS3-Y : Adjust the up and down of the bottom left corner
 < 0~69 steps, 13 >

- 10] Y LEVEL : The value of the box is between black and white
 ("0" is black and "20" is white)
 < 0~20 steps, 10 >
- 11] CB LEVEL : The value of the box is between yellow and blue
 ("0" is yellow and "20" is blue)
 < 0~20 steps, 10 >
- 12] CR LEVEL : The value of the box is between blue and pink
 ("0" is blue and "20" is pink)
 < 0~20 steps, 10 >
- 13] TRANS : Set the transparency
 < 0~3 steps, 2 >

9. DIS : Digital Image Stabilizer function

- < OFF/ON◀ >
- 1) RANGE : Maximum stabilizer Range
 (Up to 30% is a range of the input Image in accordance with the digital zoom is set up to 1.4 times the required use.)
 < 10%,20%,30% >
 - 2) FILTER : Select "High" is more sensitive (Correction is not good)
 < LOW/MIDDLE/HIGH >
 - 3) AUTO C : Such as vibration like High Frequency is be Correction, Such as vibration like Low Frequency is be the screen functions to be move naturally.
 - ① FULL : During movement, it is always corrected to be positioned at the center of image direction
 - ② HALF : The Center Correction region Full Compensation is fixed and Periphery only compensation
- < OFF/HALF/FULL >

10. MOTION : Select On to activate motion detection, surveillance box on/off

- < OFF/ON◀ >
- 1) SENSITIVITY : Select the level of sensitivity detected in surveillance
 < 0~20 steps, 3 >
 - 2) DET H-POS : Set to move Detection area box into left and right
 < 0~20 steps, 0 >
 - 3) DET V-POS : Set to move Detection area box into up and down.
 < 0~20 steps, 0 >
 - 4) DET H-SIZE : Set Detection area box's size into right and left
 < 0~20 steps, 60 >
 - 5) DET V-SIZE : Set Detection area box's size into up and down
 < 0~20 steps, 34 >
 - 6) MOTION OSD : On/Off the Motion detection control box
 < OFF/ON >
 - 7) ALARM : Using the Alarm device and the connect with Port GPIO
 < OFF/ON >

11. SYSTEM : OFF/ON◀

- 1) VERSION : display the version of camera software
< **V4.07.24-G** >
- 2) COM.◀
 - ① CAM ID : Set to Camera's ID
< **0~255 steps, 0** >
 - ② BAUDRATE : A measure of the Data transmission speed
< (**2400,4800,9600,57600,115200**), **115200** >
- 3) IMAGE RANGE : Setting a range of screen
< **FULL/COMP/USER**◀ >
 - ① FULL : SDI FULL Range output
 - ② COMP : SDI compression Range output
 - ③ USER : OFFSET(0~32 steps, **16**)
- 4) COLOR SPACE : **HD-CrCb**, YUV, HD-CrCb
- 5) GELOCK : < **Disable / Master / Slave** >
 - ① Disable : No Input / No Output
 - ② Master : Menu setup to "Back Panel : Sync Out"
 - ③ Slave : Menu setup to "Back Panel : Sync In"
- 6) FREQ : select AC type power frequency
< **60Hz, 50Hz, 59.9Hz** >
- 7) FRAME RATE : Select the SDI output resolution and frame
 - ① 50HZ : < **1080-25P,1080-30P,1080-50i** >
< **720-50P** >
 - ② 59.9HZ : < **1080-29.9P,1080-59.9P,1080-59.9i** >
< **720-59.9P** >
 - ③ 60HZ : < **1080-30P,1080-60P,1080-60i** >
< **720-60P** >
- 8) SHADING-EDT◀ : Compensate for differences in the screen brightness by Lens bending. Llluminate the full screen in white paper with ON, compensated date is stored. Using the "SHADING" ON, the stored data is running

< ○○○○○○○ >
- 9) EDFECT-DET◀ : Compensate sensor's (White dot) dead cell defect. After cover the lens to make the screen dark, press right key (ON)

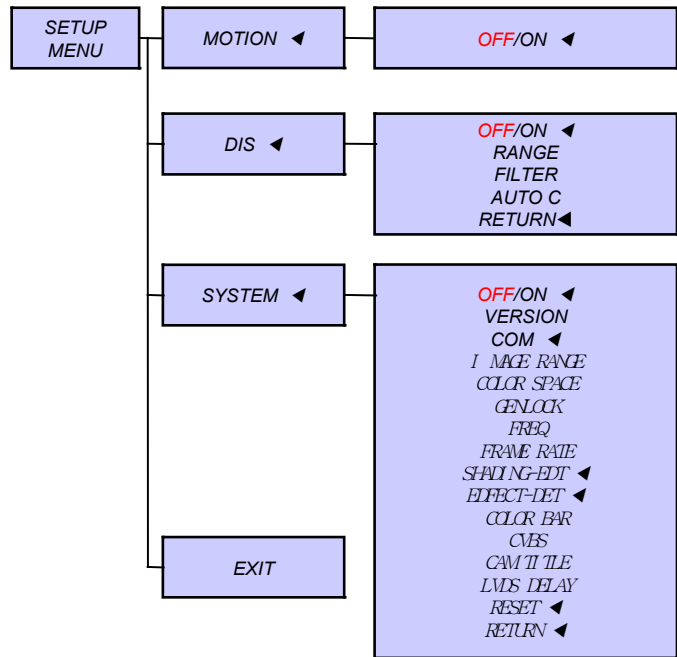
< **THRS---0000000000** >
< **CNT----0000000000** >
- 10) COLOR BAR : Print out COLOR BAR pattern.
SDI and CVBS output simultaneously
< **OFF/ON** >
- 11) CVBS : ON/OFF for Composite Video Signal
< **OFF/ON** >
- 12) LANGUAGE : Supported < **ENG,KOR,JAN,CHN(S),CHN** >

- 13) CAM TITLE◀ : Make a Camera's name

□
○○○○○○○○ : **0~9,A~Z**
U , D - CHAR SELECT
L , R - POSITION

- 14) LVDS DELAY : Adjusted to LVDS delay the time
< **0~12 steps, 12** >

12. EXIT



5. DAY & NIGHT <Picture 2-3 Menu Tree >

- 1) MODE : Set the Day and Night on display
 < **AUTO** ◀ / **B/W** / **COLOR** / **EXTERN** >
 ① **AUTO** : Artificially judge Day&Night through the inner AGC value of SET
 ② **B/W** : keep the display in black regardless of Day&Night
 ③ **COLOR** : keep the display in color regardless of Day&Night
 ④ **EXTERN** : Artificially judge Day&Night by external censor (but, DELEY value is applied same in AUTO and EXTERN mode)
- 2) IR-LED : LED ON/OFF Signal output
 < **OFF/ON** >
- 3) ANIT-SAT : Adjust the IR brightness in B/W state
 < **0 ~ 20 steps, 10** >
- 4) AGC THRES : Set the level range of the Day&Night judgement detection.
 < **0 ~ 20 steps, 10** >

- 5) AGC MARGIN: Set the level range of the Day&Night judgement detection(margin)
 < **0 ~ 20 steps, 10** >
- 6) DELEY : delay the time from day to night
 < **LOW, MIDDLE, HIGH** >

6. WHITE BAL AUTO : < **AUTO/AUTOext /PRESET/MANUAL** >

- 1) AUTO : auto accumulation mode
 Automatically adjust the color in environmental change of 2,300 K ~ 2,800 K
- 2) AUTOext : Outdoor and special lighting tracking mode,
 White detection for special lighting such as mercury Operating range of 2,300 K ~ 2,800 K
- 3) PRESET : It is for finding the best WB in current surveillance area
 Hold " SET button" to activate, or fixed
- 4) MANUAL : Adjust color in manual
 ① C-TEMP : normal color temperature value
 < **3000K,5000K,8000K** >
 ② R-GAIN < **0 ~ 20 steps, 10** >
 ③ B-GAIN < **0 ~ 20 steps, 10** >

7. DNR : < **OFF/LOW/MIDDLE/HIGH** >

Set the display noise remove condition (AGC) at low luminance

8. IMAGE

- 1) SHARPNESS : Set the basic brightness of display
 < **0 ~ 15 steps, 7** >
- 2) COLOR GAIN : Set the color value of display
 < **0 ~ 20 steps,15** >
- 3) GAMMA : Set the gamma value of display
 < **0.45, 0.55, 0.65,0.75 / 0.55** >
- 4) MIRROR : Change the left and right position
 < **OFF/ON** >
- 5) FLIP : Change the up and down position
 < **OFF/ON** >
- 6) D – ZOOM : Set the magnification of display
 < **1.0X~16.0X, 1.0X** >
- 7) ACE : Auto adjust brightness mode
 < **OFF/LOW/MIDDLE/HIGH** >
- 8) DEFOG : Compensate the fog
 < **OFF/ON** ◀ >
 ① MODE(**AUTO/MANUAL**)
 ② LEVEL(**LOW/MIDDLE/HIGH**)
- 9) SHADING : Correct the differences between the display brightness in lens curve
 < **OFF/ON** ◀ >
 ① WEIGHT(0~100%),**100%**

3. Genlock Description

Menu / System / Genlock		Genlock Resolution Supported	
Disable	Genlock Signal : No Input / No Output	50hz	1920 x 1080 x 25p 1920 x 1080 x 50p
Master	Genlock Output Mode : Menu setup to "Back Panel : Sync Out"	59.94hz	1920 x 1080 x 29.97p 1920 x 1080 x 59.94p
Slave	Genlock Output Mode : Menu setup to "Back Panel : Sync In"	60hz	1920 x 1080 x 30p 1920 x 1080 x 60p
Genlock LED			
Slave	ON	Genlock Sync Lock : Operation OK	
	OFF	Genlock Sync Lock : Operation has a problem	
	BLINK	Genlock Sync not Supported (Not Supported Resoluion or other signal)	
TEST		Caution on Setup	
Oper. 1)	Setup No. 1 Camera to Genlock Master in Menu. (Back Panel : Sync Out) Resolution setup	Ref. 1)	Resolution mode is off when Genlock mode is slave
Oper. 2)	Setup No. 2 Camera to Genlock Slave in Menu. (Back Panel : Sync In)	Ref. 2)	720p/ 50i/ 60i setup is not available on Genlock non-supporting Resolution
Oper. 3)	No. 1 Camera a LED ON / No. 2 Camera LED OFF	Ref. 3)	On connection of one master and multiple slaves, repeater is required for sync signal
Oper. 4)	Connection of Sync Line with No. 1 and NO.2 Cameras		
Oper. 5)	No. 2 Camera a LED ON in 5 seconds	Ref. 4)	Genlock Sync out Outputs Tri-Level 1.2Vp.p

4. Troubleshooting during Installation

1. Video output through HD-SDI or HDMI on monitor is blue or black.
If the SDI OUT & HDMI connection is bad or wrong.
If the resolution setting is not suit for device.
Or it is not suitable CABLE or transmission distance is too long.
 - ◆ Check SDI OUT & BNC JACK connection & HDMI connection.
 - ◆ Check the resolution of camera and match with device.

2. HD-SDI output does not display properly.
There will be defect or error message on display if cable doesn't match the signal requirement, If user doesn't use 75Ω BNC cable for HD- SDI connection
 - ◆ Please check Camera output's BNC CABLE and both connected jacks on recording unit input and camera output, also check other connected device's BNC is 75 Ω
 - ◆ Change the cable and the HD-SDI connections
 - ◆ Please use 75 Ω BNC adapters for extension cable.
 - ◆ HD-SDI CABLE's limited range.
5C-HFBT(Maximum up to 100m)

3. There is cross line, breaking and disconnection On HD-SDI display.
If HD-SDI out BNC's connection is bad, Cause is that the short circuit of cable, not proper cable or excess the limited range.
 - ◆ Please check for proper cable for HD- SDI and Cable distance is optimal.
 - ◆ Please check the connection of BNC between HD-SDI and BNC (bad connection, connected condition)

4. If the HD-SDI display's output is not on the correct location right of left.
If the resolution mode is not set properly, when user connects it to the receiver directly or monitor's resolution setting is not correct.
 - ◆ Please check the resolution output value of camera.
 - ◆ Please check the monitor and DVR resolution setting value.
 - ◆ Some of monitor can't support 1080 60P, 1080i resolution.