

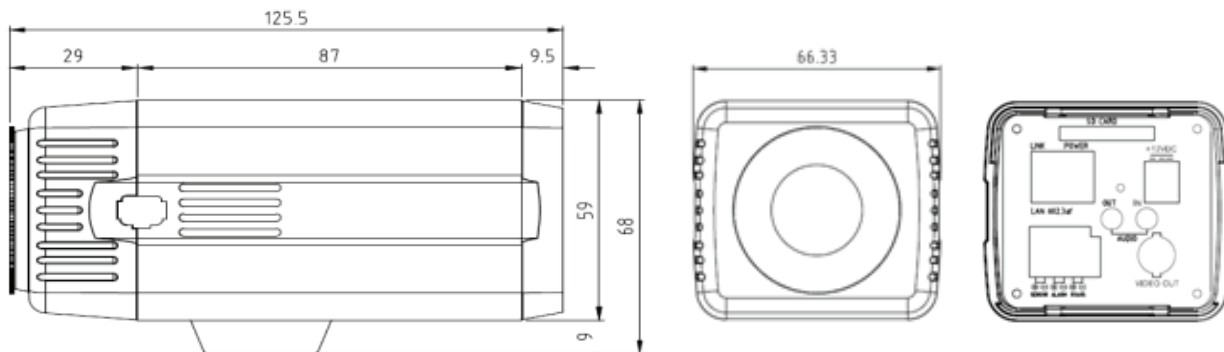
1080p60, Full HD IP Box Camera

FEATURES

- 60FPS @ 1920 x 1080
- P-Iris (Optional)
- True WDR
- Dual Power (DC/PoE)
- Quadruple Streaming
- ONVIF, PSIA Compliant



DIMENSIONS



SPECIFICATIONS

| | | |
|---------------|--------------------------|---|
| Camera | Image sensor | 1/2.8" Progressive scan CMOS |
| | Lens type | Auto DC iris, P-Iris (option) |
| | Lens mount | C/CS mount |
| | Zoom | Lens dependent |
| | Focal length | Lens dependent |
| | Maximum aperture ratio | Lens dependent |
| | Angle of view | Lens dependent |
| | Minimum illumination | 0.07lx (Color) ~ 0.001lx (B/W) @F1.2 with 50IRE |
| | Electronic shutter speed | p30: 1/30 ~ 1/50,000sec, p60: 1/60 ~ 1/50,000sec |
| | Privacy masking | 8 regions (polycon windows) |
| | Flip mode | Horizontal, Vertical |
| | Image enhancement | AGC, AE, AWB, TDN, 2D/3DNR, DSS, True WDR, Defog, DIS, DPC, LSC |
| | IR LED | N/A |
| | Video | Compression |
| Frame rate | | Max 60fps @ 1920x1080 |
| Bitrate | | Primary: 32Kbps ~ 16Mbps, Secondary x3: 32Kbps ~ 4Mbps |
| Resolution | | 352 x 240 ~ 1920 x 1080 |
| Streaming | | Primary: H.264, Secondary x 3: H.264/MJPEG |
| Burn-in OSD | | Multi-lingual |
| Output | | CVBS or 3GSDI |

1080p60, Full HD IP Box Camera

SPECIFICATIONS

| | | |
|----------------|---------------------|--|
| Audio | Compression | G.711 / AAC |
| | Sampling rate | G.711: 8 KHz, AAC: 32 kHz / 44.1 kHz / 48 kHz |
| | Bitrate | G.711: 64Kbps, AAC: 64Kbps/128Kbps |
| | Streaming | G.711: Full-duplex, AAC: Half-duplex |
| | Input / Output | 1 x Line-In (mono, RCA type), 1 x Line-Out (mono, RCA type) |
| Event | Event sources | Motion, Sensor input, Client disconnection |
| | Event actions | Notification (E-mail), FTP, PTZ preset, Alarm control, Recording |
| General | Housing | IP: N/A |
| | Certifications | CE, FCC, KC, RoHS |
| | External devices | 1 x Sensor-In (dry contact, NO/NC) 1 x Alarm-Out (dry contact, NO) 1 x RS-485 port |
| | Edge storage | SD/SDHC slot |
| | Power supply | Min DC12V/1.5A, PoE(Power over Ethernet) : 802.3af |
| | Power consumption | DC12V/PoE: Max DC12V/8.76W |
| | Operating condition | -10°C ~ 50°C (14°F ~ 122°F) / 20% ~ 80% RH |
| | Dimension | 66.60(W) x 127.20(L) x 67.20(H)mm |
| Weight | 376g | |